

RIG SERVICE SOLUTIONS

Ranger Energy Services offers one of the largest high-spec well servicing rig fleets in a comprehensive solution with our ancillary equipment rentals, rig-assist snubbing and drillout iron/manifolds for extended reach frac plug drillout and flowback completions. Ranger comprehensive solutions simplify logistics, maximize operational efficiency, minimize NPT and are more economical than using coiled tubing. Ranger service rigs are also ideal for efficient production maintenance, major workover and plug and abandonment operations.



RANGER LEADS THE WAY

SPECIFICATIONS

- AESC Class IV, V and VI rigs
- Modern fleet (>35% built since 2014)
- Horsepower (90% > 500 HP)
- Mast ratings to 300,000 lbs (90% > 240,000 lbs)
- Mast heights to 117 ft (90% > 102 ft)
- Work floor elevation up to 30 ft
- Fluid pumps up to 1000 HP
- High torque power swivels
- Pipe handlers up to 40 ft elevation

APPLICATIONS

- Completion of newly drilled wells
- Frac plug drillout
- Production string installation
- Recompletion of existing wells
- Maintenance of producing wells
- Major workover of producing wells
- Plug and Abandonment
- Rig-Assist Snubbing applications

LOCATIONS

We have several locations in the USA

PERMIAN BASIN

Midland, TX
Hobbs, NM

WILLISTON BASIN

Dickinson, ND
New Town, ND
Williston, ND

DJ BASIN

Milliken, CO

MID-CONTINENT

Calumet, OK
Bowie, TX
Palestine, TX

SOUTH TEXAS

Pleasanton, TX
Wharton, TX



Skid Mounted Pump

www.rangerenergy.com

Copyright © 2018 Ranger Energy Services. | All rights reserved.



Mobile Rig

WHY CHOOSE RANGER RIG SERVICES?

- Experienced & highly qualified team
- State-of-the-art equipment
- High performance culture
- Robust, behavior based QHSE management system
- Continuous improvement program
- Innovative technology development
- Technical solutions for today's complex wells

EQUIPMENT

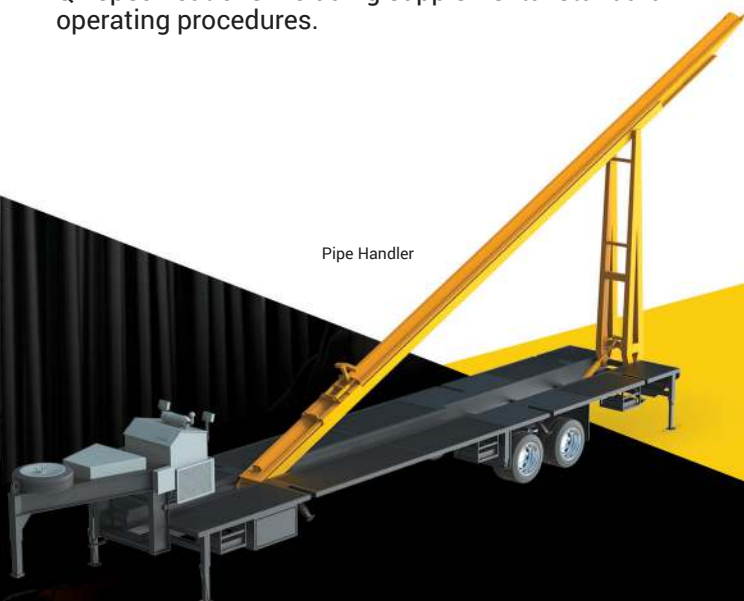
Our state-of-the-art inventory of high-spec service rigs and ancillary rentals meet API standards and are maintained via a structured program to safely meet your well service requirements.

PERSONNEL

Our experienced rig crews can safely and effectively operate in all situations. We provide our personnel with specialized classroom training including well control to build proficiency in the latest techniques and QHSE procedures.

QHSE

Ranger employs a robust behavior based HSE Management System and a QMS that aligns with API Q2 specifications including supplemental standard operating procedures.



Pipe Handler